



Low Angle Brightness Sensor SENSOR-SUNLOWA-0TO10V

Overview

The Solarai Low Angle Brightness Sensor 'SENSOR-SUNLOWA-0TO10V' is an omni-directional light sensor designed to measure illumination levels outdoors.

Specially designed with an extended acquisition range, this sensor allows for accurate sensor readings regardless of the elevation angle or azimuth to ensure accurate readings from sunrise to sunset.

The ability to be operated with either DC or AC supply voltage, with an analog output signal of 0-10V, makes the Solarai Brightness Sensor suitable for a wide variety of applications, including commercial automation systems.

Features

Wide Measuring Range

Measuring range of 0-100,000 Lux.

Direction-Independent Measurement

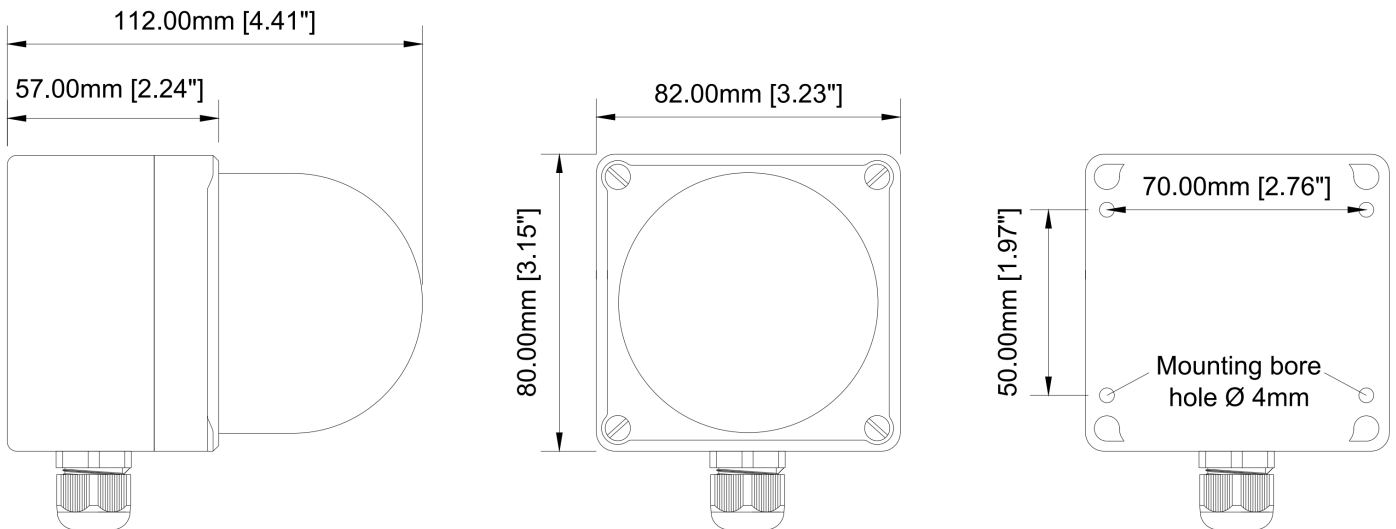
Special construction of the sensor allows for almost direction-independent reading in the elevation angle height of 0° to 90°, and in the azimuth angle of 0° to 360°.

Robust

IP65 rated enclosure ensures protection in nearly all environmental conditions.

Accurate

Accuracy of $\pm 2\%$ of calibration norm



Cable Gland
M16 x 1.5
 $\varnothing 4.5-10\text{mm}$



Specification	Description
Model	SENSOR-SUNLOWA-0TO10V
Measuring Range	0 - 100,000 Lux
Sensor	BPW 21
Spectral Range	350 - 820 nm
Accuracy	± 2 % of calibration norm
Supply Voltage	18-36V DC or 18-24V AC
Output Voltage	0 - 10V DC
Output Current	4 - 20 mA
Current consumption	approx. 10 mA, unloaded
Acquisition	Elevation Angle: 0 - 90° Azimuth Angle: 0 - 360°
Operating Temperature	-30° C TO +70° C
Warranty	2 Year Standard Warranty - Extended Warranty Options Available
Enclosure Type	Plastic
Mounting	Surface
Dimensions	112 x 82 x 80mm
Protection Class	EN60730
IP Rating	IP54

Ordering Information

Sensor Part # - SENSOR-SUNLOWA-0TO10V

